

NOTE:
 - INDIVIDUAL WIRING RUNS FROM THE MCP TO EACH BANNER MACHINE ARE REQUIRED FOR BOTH MOTOR POWER AND ENCODER SIGNAL.
 - MOTOR POWER WIRING FROM SEVERAL MACHINES MAY SHARE THE SAME CONDUIT AT THE DISCRETION OF THE INSTALLING ELECTRICIAN. CONDUIT FILL AND DERATING OF WIRE PER NEC MUST BE RESPECTED.
 - THE ENCODER WIRING OF SEVERAL MACHINES MAY SHARE CONDUITS. HOWEVER, MOTOR AND ENCODER WIRING MUST BE NOT BE COMBINED IN THE SAME CONDUIT. CONDUIT FILL PER NEC MUST NE RESPECTED.

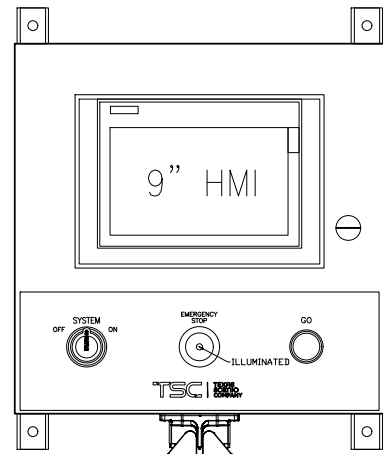
SVC:
 120/208 VAC, 3 ϕ , 60 Hz,
 AMP TBD, 4w+GND
 BY DIV 26
 PANEL: ?
 CIRCUIT: ?,?,?

(10) #16 THHN STRANDED
 (SYS-B, ES-B, AUX-B, COM-B, SP1, SP2)
 (1) SIEMENS 6XV1840-2AH10 OR EQ
 BY OTHERS

SVC:
 120VAC, 1 ϕ , 60 Hz,
 5A MIN.;
 2w+GND
 BY DIVISION 26
 PANEL: ?
 CIRCUIT: ?

LOCAL/MANUAL BACK
 UP CONTROL FOR EACH
 UNIT STANDARD ON ALL
 PIONEER SYSTEMS.

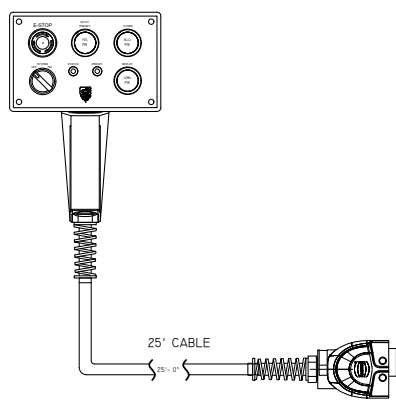
NOTE:
 -TOUCHSCREEN ALLOWS SELECTION OF
 INDIVIDUAL AND GROUPS OF HOISTS.
 -DEPLOY/STORE 'HOLD TO RUN'
 PUSHBUTTON CONTROL FOR SELECTED
 MACHINES.
 -PRESET 'HOLD TO RUN' PUSHBUTTON
 CONTROL FOR INTERMEDIATE PRESETS.



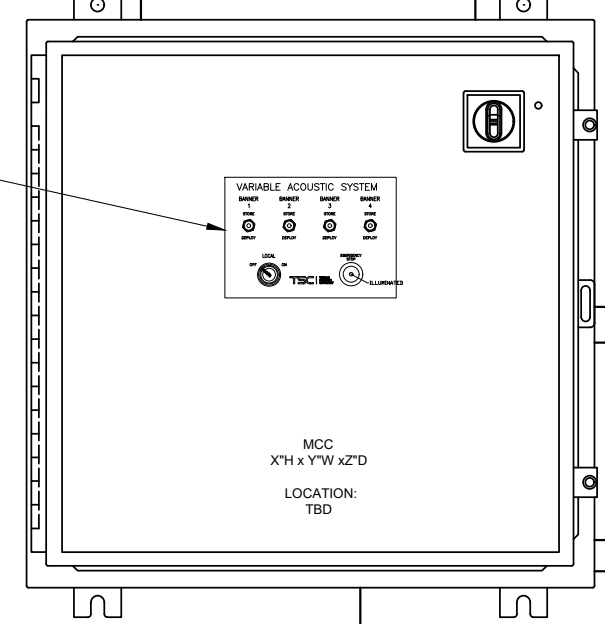
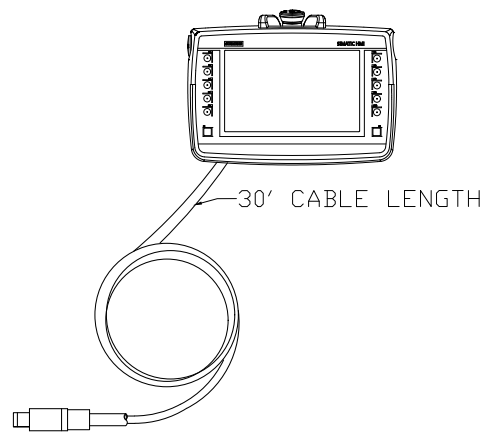
PIONEER II
 CONTROL
 16"H x 16"W x 6"D

PENDANT OPTIONS
 TO PROVIDE LINE OF SIGHT
 CONTROL OF EQUIPMENT

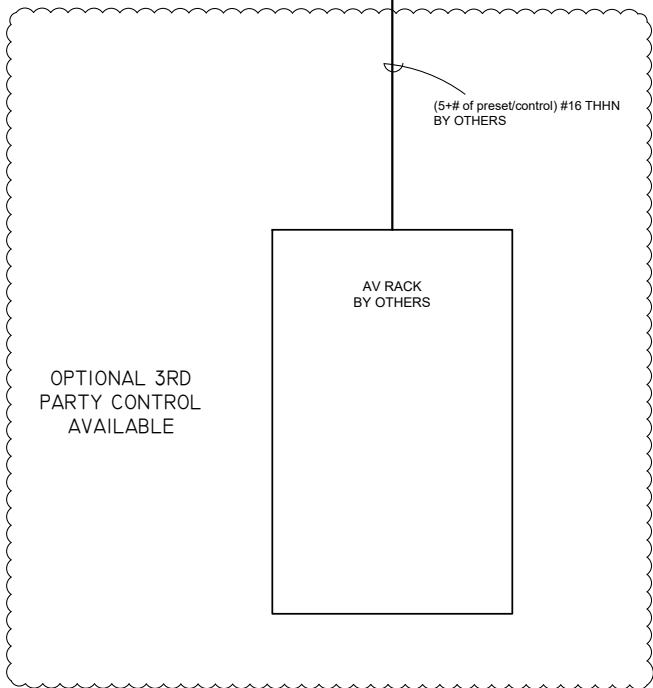
PUSH BUTTON PENDANT



SCOUT TOUCH SCREEN
 PENDANT

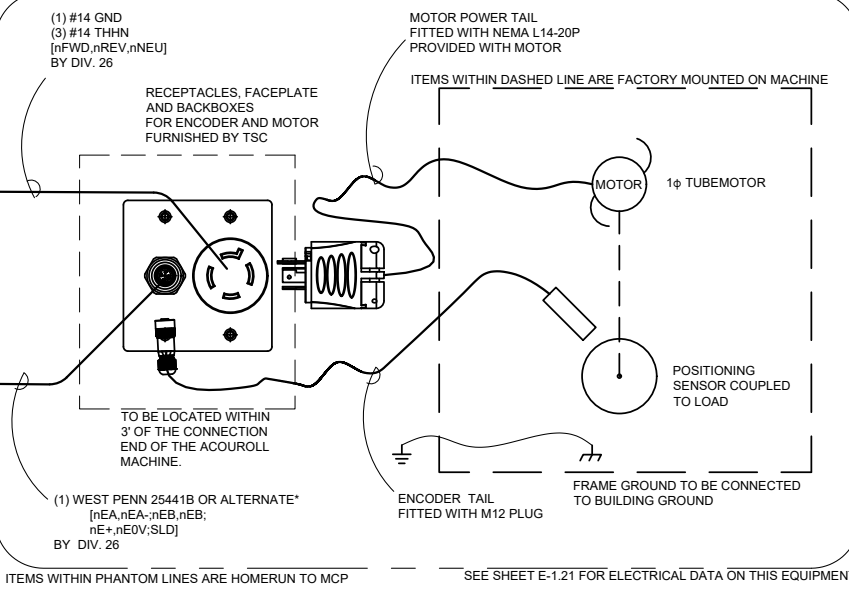


MCC
 X"H x Y"W x Z"D
 LOCATION:
 TBD



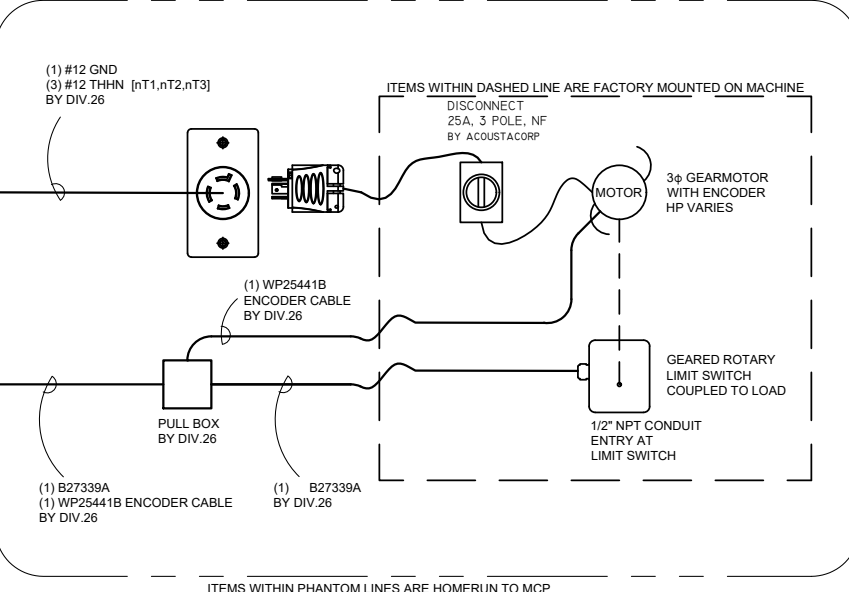
OPTIONAL 3RD
 PARTY CONTROL
 AVAILABLE

ACOURL® BANNER MACHINE
 TYPICAL OF XXX (#)



ACOURL® BANNER MACHINE
 TYPICAL OF XXX (#)

ACOUSTAC® BANNER MACHINE
 TYPICAL OF XXX (#)



PROJECT: ACOUTUNE CONTROL SYSTEM SAMPLE SAN ANTONIO, TX		ARCHITECT: -	
DWG. TITLE: DECK BOSS PIONEER II ONE LINE RISER		CONSULTANT: -	
REV: A	SCALE: AS NOTED	CONTRACTOR: -	JOB NUMBER: XX-XXXXXX
DRAWING NUMBER: E-1.11		DRAWN BY: WJC	DATE: 3/12/2025
8053 POTRANCO ROAD SAN ANTONIO, TEXAS 78251 210-684-0091 210-684-4557 FAX		THIS DOCUMENT IS THE PROPERTY OF TEXAS SCENIC COMPANY, INC. TITLE TO THIS DOCUMENT REVERTS TO TEXAS SCENIC COMPANY, INC. IF NOT RETURNED TO THE COMPANY WITHIN 30 DAYS OF THE DATE OF THE DESIGN'S CONTAINED HEREIN. THE DESIGN'S CONTAINED HEREIN ARE SUBJECT TO THE FOREGOING.	
TEXAS SCENIC COMPANY		WJC	DATE: 3/12/2025
WJC		BY: WJC	DESCRIPTION: