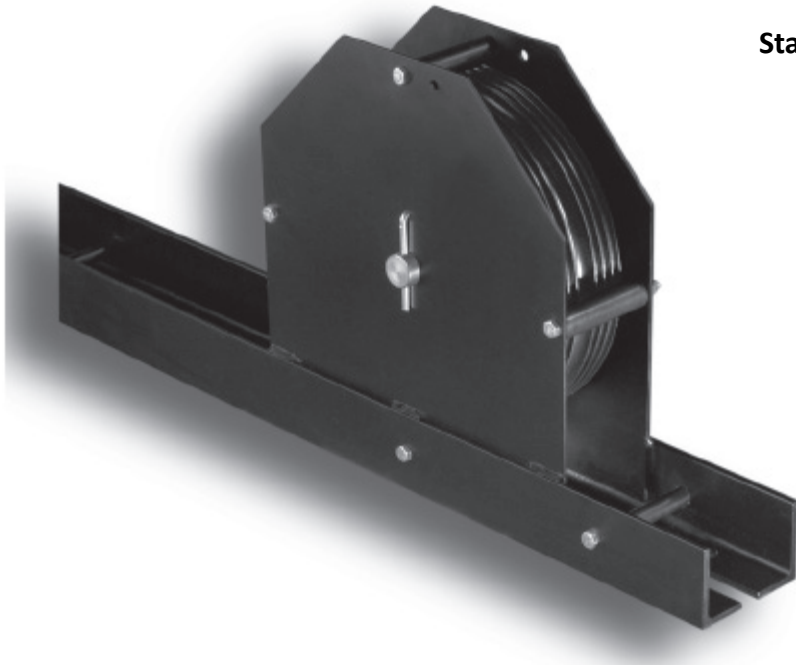




inline[®]
STAGE EQUIPMENT

Steel Head Block



Standard Features

- 2500 lb. capacity
 - 12 5/8" pitch diameter
 - Steel composite sheave
 - 1 1/4" plated cold rolled shaft
 - 1 1/4" tapered roller bearings
 - 7 gauge side plates
 - 2" x 3" x 1/4" base angles
 - One 3/4" rope groove
 - Seven 1/4" cable grooves
 - 3/8" steel plate beam clips, 3 per block
- Components powder coated prior to assembly*

Optional Features

- Extended length side plates
- 8, 9, 10 or 11 line set configuration
- 7/8" or 1" rope grooves

