



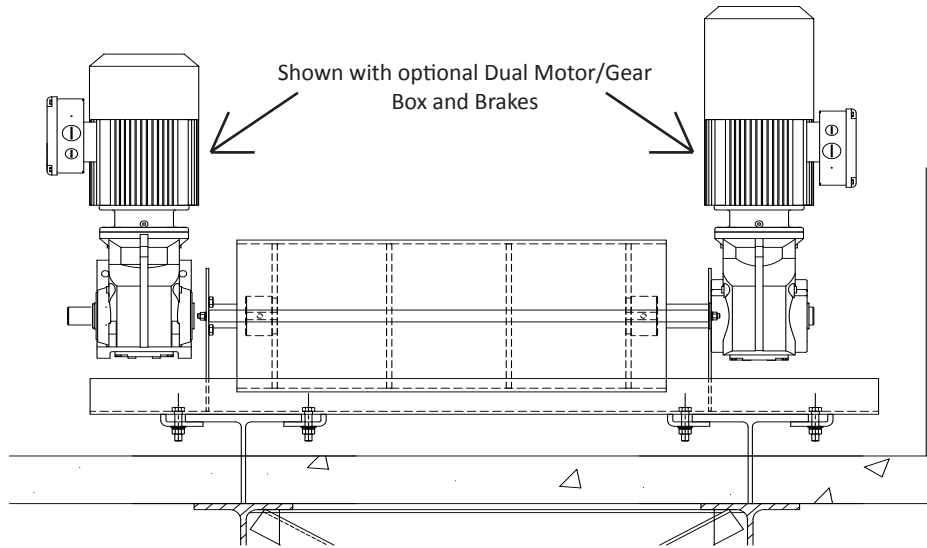
Drum & Block Hoist

Applications

- For use in schools, auditoriums, professional theatres and worship facilities providing safe and convenient set and scenery movement.
- Drum and block hoists are the most common type of motorized hoists and do not require the use of counterweights.
- Drum hoist can be mounted in a number of variations, grid mount, separate motor platforms, or head beam mounting. Additional Head blocks and loft blocks are required to direct lift lines to battens.

Dependable

- The drum hoist has a grooved drum large enough to power all the lift lines for a specific line set.
- A single, solid shaft connects the motor gear box/brake to the grooved drum to ensure reliable stops and secure holds for long periods.
- Cable life is extended by single-wrapping of the helically grooved-drum design.
- Redundant limit switches and emergency stop functions.



Specifications

Speed	15 to 60 fpm fixed speed, 0 to 180 fpm variable, custom speeds available.
Weight	Any configuration, completely customizable
Lift Lines	Any configuration, completely customizable
Height	Any configuration, completely customizable
Power Requirements	3 Phase, 208 volt or 460 volt power requirements.



Drum & Block Hoist

Features

- Connections from grooved-drums to drive shaft are by solid shaft for secure holds. A range of speeds and lifting capabilities are available, with fixed or variable speed operation.
- Configurations are available with 3/16", 1/4" or 3/8" cables to meet your lift requirements. No need to settle for standard off the shelf configurations.
- The spring-loaded brake is released electronically as a safety feature.
- Secondary over-speed brakes or dual motor backups are optional.

Control Systems

- Manual pushbutton back up provided on all systems.
- Texas Scenic Company's Deck Boss® Control System console.
- Slack line and load monitoring (optional) to work with the Deck Boss® Control System and other high-end control systems.
- Other control options available.