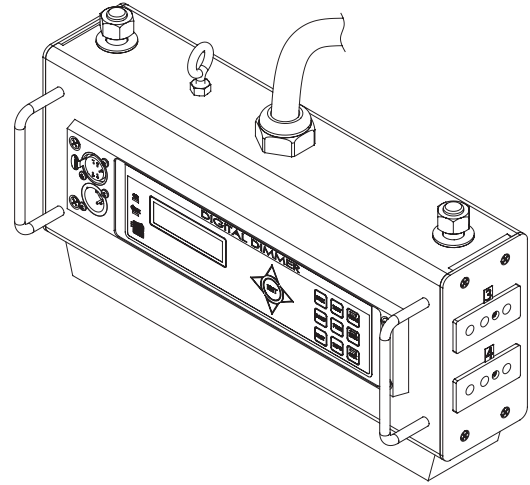
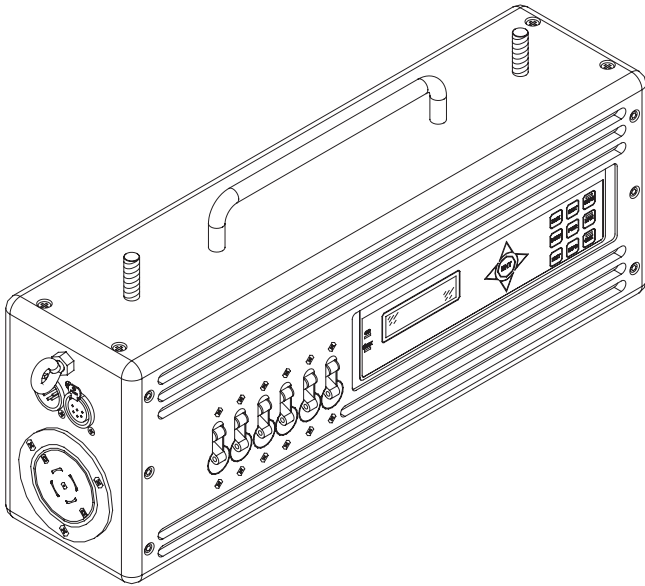




120V



GENERAL INFORMATION

SmartModules are small portable self-contained dimmer units with 4 or 6 connectorized dimmers at 720W or 1200W respectively. The SmartModule system provides a practical and versatile alternative dimming system for small venues, rental applications and industrial presentations. Additional connections needed are main power and DMX data.

APPLICATIONS

- Applications requiring distributed dimming and position flexibility
  - Industrial productions
  - Rental productions
  - Multi-use venues: gymnasiums, cafeteriums, multimedia rooms
  - Convention and conference centers
  - TV Studios
  - Casinos
  - Discos

FEATURES

- Four 6A or six 10A dimmers per unit
- Digital forward phase dimming
- Convection cooled
- Integrated suspension points for pipe mounting
- Choice of output connectors
- DMX 512A compliant
- LCD display with graphic channel level indication
- Local manual control, built-in presets and sequencer for stand alone operation
- Programmable options per dimmer: non-dim, max & min levels, response speed, dimmer curves

ORDERING INFORMATION

SmartModules

MODEL	DESCRIPTION
SM6-10-A	6 x 10A (1200W) SmartModule, GTL in, Edison out
SM6-10-B	6 x 10A (1200W) SmartModule, GTL in, Stage Pin out
SM6-10-C	6 x 10A (1200W) SmartModule, GTL in, GTL out
SM6-10X-A	6 x 10A (1200W) SmartModule, cable in, Edison out
SM6-10X-B	6 x 10A (1200W) SmartModule, cable in, Stage Pin out
SM6-10X-C	6 x 10A (1200W) SmartModule, cable in, GTL out
SM4-6-A	6 x 10A (1200W) SmartModule, GTL in, Edison out
SM4-6-B	6 x 10A (1200W) SmartModule, GTL in, Stage Pin out

SmartModule Accessories

MODEL	DESCRIPTION
400CC	C-Clamps
400SC	Safety cable



SPECIFICATIONS

GENERAL

- Four 6A or six 10A dimmers
- Underwriters Laboratories cUL Marked, tested and listed to the following standards:
  - UL508 (File: E152039)
- Complies with ESTA DMX512-A Standards
- Installation requires attachment of safety cables, main power and data via DMX

MECHANICAL

- Manufactured of aircraft quality anodized aluminum with a black anodized finish
- Integrated suspension points (threaded studs) for mounting hardware such as C-clamps
- Eyehook for safety cable attachment on larger module

ELECTRICAL

- 120V 60Hz Mains supply
- 4 x 6A unit:
  - 120V Single-phase 2-wire + ground, 20A feed
  - Power wiring by use of an attached flexible 12' SO feed cord and bare-ends (connector not supplied)
  - Fuse per dimmer for load protection
  - Edison and Stage Pin outlets only
- 6 x 10A unit:
  - 120/208 Three-phase 4-wire + ground, 20A feed.
  - Power feed via a flange-mount Twist-Lok inlet (HBL2515) or a cable feed
  - Circuit breaker per dimmer for load protection
  - Edison, Stage Pin or Twist-Lok outlets

Note: Not designed for use with fluorescent ballasts

THERMAL

- Maximum operating temperature up to 78°C (172°F)
- Humidity between 30 - 95% non-condensing

SPECIFICATIONS

- Convection cooled – operates without cooling fans or filters.
- Optimum cooling when mounted horizontally with the control panel vertical (or upright)

CONTROL FEATURES

- DMX512 In and Thru via 5Pin XLR connectors
- Supports up to 32 SmartModules on one DMX line
- High contrast 2-line by 20-character backlit LCD with graphic channel level indication
- 9-button keypad plus arrow array and Enter button
- 2 status LED indicators: Power and Valid DMX
- Soft patch any dimmer to any DMX channel
- Programmable options per dimmer: max/ min levels, response time, non-dim operation, dimmer curve (Flourescent curve not available at 120V operation)
- Local manual control and 20 preset chase patterns for stand alone operation
- Programmable start modes with soft start for higher wattage lamps and burst start for cold filaments
- DMX Backup settings – Selectable Data Loss Behavior
- Password protection for access to DMX, Configuration and Install menus

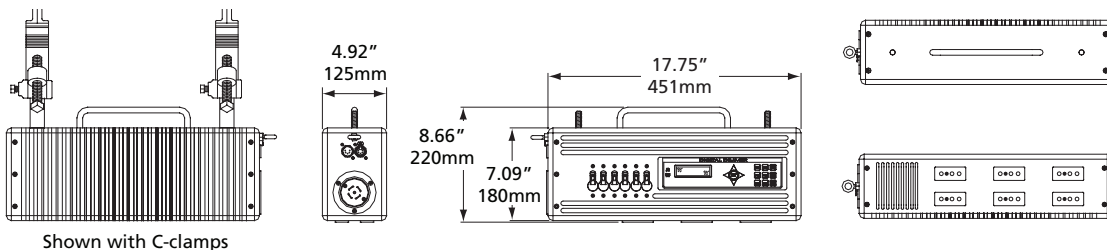
PHYSICAL

SmartModule Dimensions & Weight\*

MODEL	HEIGHT		WIDTH		LENGTH		WEIGHT	
	inches	mm	inches	mm	inches	mm	lbs	kgs
SM6-10	8.66	220	4.92	125	17.75	451	20	9.1
SM4-6	6.42	163	3.27	83	13.80	351	10	4.5

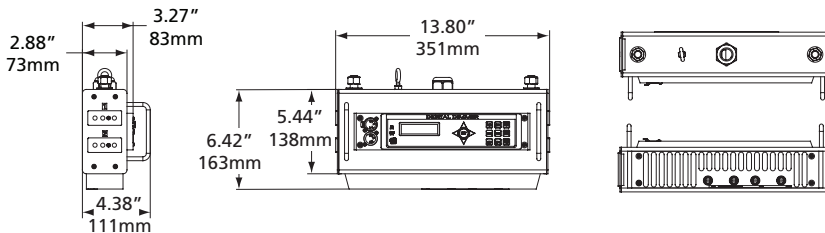
\*Weights and dimensions typical

SM6-10



Shown with C-clamps

SM4-6



Corporate Headquarters • 3031 Pleasant View Rd, PO Box 620979, Middleton WI 53562 0979 USA • Tel +1 608 831 4116 • Fax +1 608 836 1736  
 London, UK • Unit 26-28, Victoria Industrial Estate, Victoria Road, London W3 6UU, UK • Tel +44 (0)20 8896 1000 • Fax +44 (0)20 8896 2000  
 Rome, IT • Via Ennio Quirino Visconti, 11, 00193 Rome, Italy • Tel +39 (06) 32 111 683 • Fax +44 (0) 20 8752 8486  
 Holzkirchen, DE • Ohmstrasse 3, 83607 Holzkirchen, Germany • Tel +49 (80 24) 47 00-0 • Fax +49 (80 24) 47 00-3 00  
 Hong Kong • Room 1801, 18/F, Tower 1 Phase 1, Enterprise Square, 9 Sheung Yuet Road, Kowloon Bay, Kowloon, Hong Kong • Tel +852 2799 1220 • Fax +852 2799 9325  
 Web • www.etcconnect.com • Copyright©2008 ETC. All Rights Reserved. All product information and specifications subject to change. 7521L1001 Rev. C Printed in USA 06/08