

GENERAL INFORMATION

Paradigm Touchscreens use high-resolution, wide-screen, color liquid-crystal displays (LCD) that are bright and easy to read, with controllable back lights. The touch-sensitive panels provide audible and visual feedback that tells you your commands are fully registered. Designed to your specifications with ControlDesigner™ software, the Touchscreen’s clear and intuitive graphics guide you quickly through your lighting and control options. Adapt your Touchscreen’s unique look, choosing from user definable control elements.

APPLICATIONS

- Churches
- Hotels
- Convention Centers
- Meeting Rooms
- Schools
- Restaurants

FEATURES

- 7” WVGA (800x480) 24-bit color LCD touchscreen
- DuraFrame – lightweight solid aluminum bezel design protects the station as well as providing support and rigidity. Completed with a durable anti-scratch overlay in five standard colors, contact ETC for custom applications
- Ready-When-You-Are – built in proximity and ambient light sensors make sure the station is ready to respond when you are about to use it
- Secure-it Electronic Lockout – configurable, software based access level control with up to three levels of access utilizing numeric pass codes
- LinkConnect – using Echelon® LonTalk® protocol with LinkPower, the two wire topology-free system gives you the freedom to put stations where you need them
- NetConnect – making use of low-cost, easy to install Cat5 with PoE to connect LCD stations to a networked Paradigm System
- USBConnect – Support for USB flash drives for configuration upload and download
- QuickLoad – SD Media support for upload, and backup of configuration data
- Support of standard or custom graphical control pages

ORDERING INFORMATION

Paradigm Wall Mount Touchscreen

MODEL	DESCRIPTION
P-LCD-_F	Paradigm 7” Flush Mount Touchscreen
P-LCD-_S	Paradigm 7” Surface Mount Touchscreen

Insert station color selection in the \_\_ space provided:

- 1 = Cream (RAL 9001)
- 2 = Ivory (RAL 1015)
- 3 = Gray (RAL 7001)
- 4 = Black (RAL 9004)
- 5 = Signal White (RAL 9003)
- 6 = Clear Anodized Bezel with Black overlay

Paradigm Touchscreen Accessories

MODEL	DESCRIPTION
P-LCD-FBB	Paradigm Touchscreen Flush Mount Back Box
P-LCD-SBB	Paradigm Touchscreen Surface Mount Back Box
P-LCD-LC	Paradigm Touchscreen Hinged Locking Cover



SPECIFICATIONS

FUNCTIONAL

- Built-in setup display, separate from user configured pages
- Configuration upload from the following sources:
  - LightDesigner™ software
  - Paradigm Architectural Control Processor
  - SD media, via built in SD card slot
  - USB Flash Drive, via built in USB port
- Ability to store multiple configurations on one touchscreen and select which configuration is active from an on-screen menu
- Allows at least 30 separate control pages
- Individual zone control
- Preset record and selection
- Room Combine Controls
- Preset, sequence, macro, and custom function activation
- Change, initiate, or override timed events
- Multi-level electronic lockout
- Custom controls configured from LightDesigner software
- Custom graphics from ControlDesigner™ software

MECHANICAL

- LED backlit, color LCD display with touchscreen interface
- Aluminum bezel with no visible means of attachment
- Manufacturer provided back boxes for surface and flush mount applications
- Adjustable brightness and contrast for low light conditions
- 7" WVGA, display (800x480) with 12-bit color

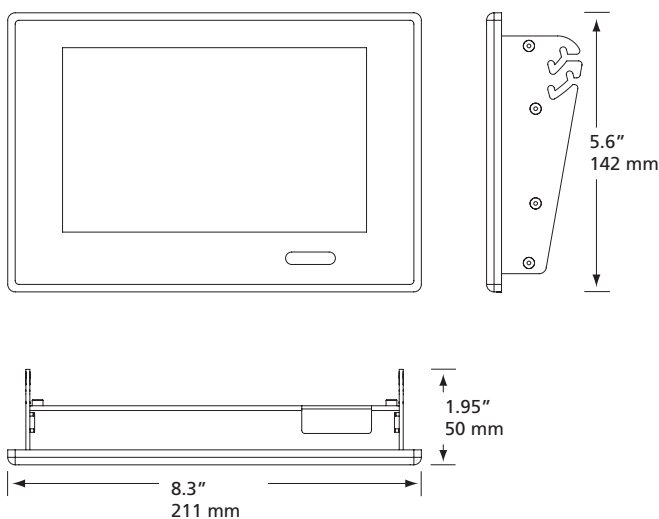
ELECTRICAL

- Connect using LinkConnect control network utilizing low voltage Class II wiring
- Topology free and polarity independent wiring over Belden 8471 or equivalent plus (2) #16 for 24vDC AuxPower and (1) #14 ESD drain wire
- Wiring may be bus, loop, home-run or any combination of these
- Optional wiring over CAT5/ 5e with Power over Ethernet for networked systems
- UL and cUL LISTED, CE marked

THERMAL

- Ambient room temperature: 0-40°C / 32-104°F
- Ambient humidity: 10-90% non-condensing

PHYSICAL



P-LCD Dimensions\*

MODEL	HEIGHT		WIDTH		DEPTH	
	inches	mm	inches	mm	inches	mm
P-LCD-_F	5.60	142	8.30	211	1.95	50
P-LCD-_S	5.60	142	8.30	211	1.95	50
P-LCD-FBB	5.35	136	8.00	203	3.25	83
P-LCD-SBB	5.60	142	8.30	211	2.5	64

P-LCD Weights\*

MODEL	WEIGHT		SHIPPING WEIGHT	
	lbs	kgs	lbs	kgs
P-LCD-_F	1.5	.68	4	1.8
P-LCD-_S	1.5	.68	4	1.8

\*Weights and dimensions typical



Corporate Headquarters • 3031 Pleasant View Rd, PO Box 620979, Middleton WI 53562 0979 USA • Tel +1 608 831 4116 • Fax +1 608 836 1736  
 London, UK • Unit 26-28, Victoria Industrial Estate, Victoria Road, London W3 6UU, UK • Tel +44 (0)20 8896 1000 • Fax +44 (0)20 8896 2000

Rome, IT • Via Ennio Quirino Visconti, 11, 00193 Rome, Italy • Tel +39 (06) 32 111 683 • Fax +44 (0) 20 8752 8486

Holzkirchen, DE • Ohmstrasse 3, 83607 Holzkirchen, Germany • Tel +49 (80 24) 47 00-0 • Fax +49 (80 24) 47 00-3 00

Hong Kong • Room 1801, 18/F, Tower 1 Phase 1, Enterprise Square, 9 Sheung Yuet Road, Kowloon Bay, Kowloon, Hong Kong • Tel +852 2799 1220 • Fax +852 2799 9325

Web • www.etcconnect.com • Copyright©2008 ETC. All Rights Reserved. All product information and specifications subject to change. 7184L1000 Rev. A Printed in USA 09/08

Unison® products protected by one or more of the following: U.S. Patent No. 5,323,088, 6,849,943, and 5,352,958; European Patent No. 0603333; German Patent No. 69203609; US and International patents pending. Paradigm products protected by US and International patents pending