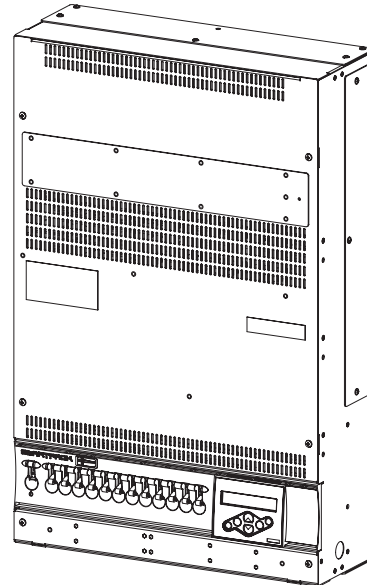
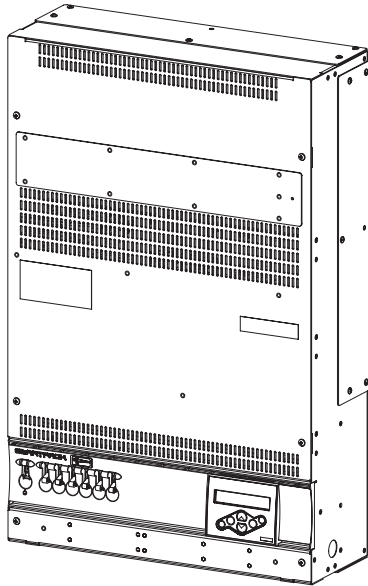




115/120V

Smart Solutions™ Series



GENERAL INFORMATION

The extreme functionality of the SmartPack built into a compact affordable wall mount unit. This small wall mount pack provides easy operation and reliability as well as quiet performance. SmartPack Wall Mount comes standard with SmartLink® control. When used with the optional LinkPower Supply, the system allows up to four SmartLink Stations to be connected for remote operation of presets and sequences.

APPLICATIONS

- Ballrooms
- Restaurants
- Churches
- Multi-purpose rooms
- Small corporate meeting rooms
- Small performance spaces

FEATURES

- 6 or 12 dimmer units available
- Capable of dimming multiple load types: incandescent, low voltage, 2-wire fluorescents
- Versatile control via DMX-512 and/or SmartLink
- DMX addressing and softpatch via keypad
- Built-in presets (32) and sequencer with programmable fade and hold times allows stand-alone operation
- SmartLink provides synchronization of presets and sequence across multiple packs
- Optional LinkPower Supply powers four stations
- Auto-Restart function returns unit to previous state when power is cycled
- Control-power switch puts unit in stand-by mode
- Multi-language capability – English, Spanish, German and French
- Fully rated magnetic circuit breakers
- Bypass contact input instantly switches selected loads on, while switching others off
- Full compliance with UL, cUL, FCC and CE regulations

ORDERING INFORMATION

SmartPack Wall Mount

MODEL	DESCRIPTION
SL620W	6 x 20A SmartPack Wall Mount
SL620W-LPS	6 x 20A SmartPack Wall Mount with LinkPower Supply
SL1210W	12 x 10A SmartPack Wall Mount
SL1210W-LPS	12 x 10A SmartPack Wall Mount with LinkPower Supply

SmartPack Wall Mount Accessories

MODEL	DESCRIPTION
SMPK-RRM	Rack Mount Kit (rails)

SmartLink Accessories

MODEL	DESCRIPTION
S-LPS	LinkPower Supply Kit
S-10005	SmartLink 5-Button Station*
S-10010	SmartLink 10-Button Station*
S-ATC	SmartLink Astronomical TimeClock

\*Stations require one LinkPower Supply per system. Only one LinkPower Supply allowed per system. Four stations supported.



**SPECIFICATIONS**

**GENERAL**

- Approvals and Certifications:
  - Underwriters Laboratories tested and Listed to the following standards:
    - UL508 (File: E152039)
  - Complies with ESTA DMX512-A Standards

**ELECTRICAL**

- Maximum feed capacity:
  - 3 x 40A, Three Phase, 4-wire & ground
  - 2 x 60A, Single Phase, 3-wire & ground
- Easily switches from single phase to three phase
- Input voltage Range from 85 – 140VAC, 47 – 63 Hz
- Input lugs rated for up to 2AWG
- Standard output connection via DIN Rail spring terminals, rated for up to 8AWG
- Fully rated magnetic circuit breakers to eliminate nuisance tripping
- High quality 200µs toroidal filters
- Modular SCR and bonded heat sink assembly with superior surge, thermal transfer, and short-circuit immunity
- 2500V isolation between control and power components

**CONTROL WIRING**

- Removable terminals for DMX512, SmartLink and Contact Input rated for maximum of 12AWG wire

**MECHANICAL**

- 16-gauge steel construction
- Fine-textured, scratch resistant paint
- Removable knockout panels with pass-through plenum for side-by-side or top-to-bottom mounting configurations (sides, top and bottom)
- Full front access (side clearance not required)
- Optional rack mount kit (requires 15U spacing)
- Recessed control connectors and protected circuit breakers

**THERMAL**

- Ambient operation temperature between 32°F (0°C) and 95°F (35°C)
- Humidity between 30 – 95% (non-condensing)
- Fan-forced airflow from bottom to top
- Low noise temperature controlled fan
- Efficiency = 96% or better, maximum dissipation 3% of connected load (Max. 3,100 BTUs)

**USER INTERFACE**

- High-contrast 20-character by 2-line backlit LCD
- 6-button blue phosphorescent keypad
- Power status indicator LED (Blue)
- DMX status indicator LED (Green)

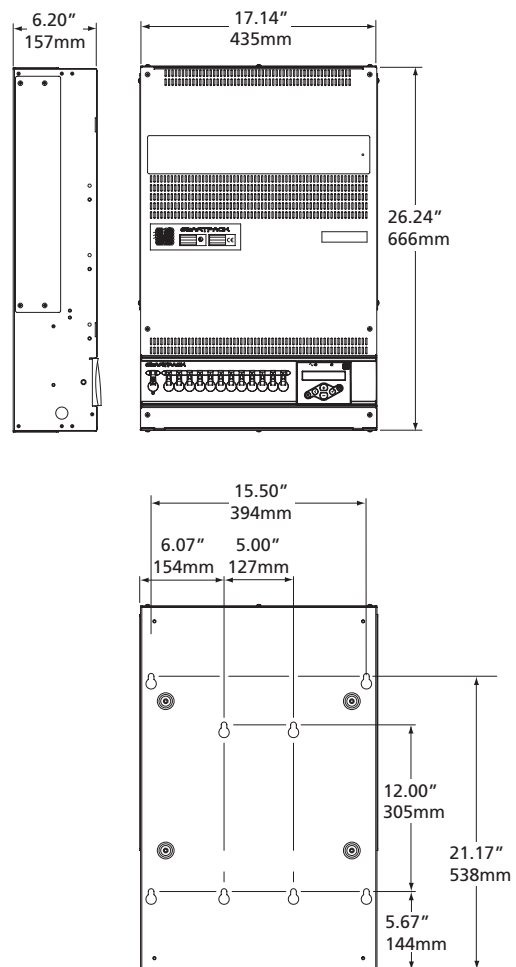
**PHYSICAL**

**SmartPack Wall Mount Dimensions**

MODEL	HEIGHT		WIDTH		DEPTH	
	inches	mm	inches	mm	inches	mm
SL620W	26.24	666	17.14	435	6.2	157
SL1210W	26.24	666	17.14	435	6.2	157

**SmartPack Wall Mount Weight**

MODEL	WEIGHT	
	lbs	kgs
SL620W	46.2	20.96
SL1210W	48.0	21.77



**Corporate Headquarters** • 3031 Pleasant View Rd, PO Box 620979, Middleton WI 53562 0979 USA • Tel +1 608 831 4116 • Fax +1 608 836 1736  
**London, UK** • Unit 26-28, Victoria Industrial Estate, Victoria Road, London W3 6UU, UK • Tel +44 (0)20 8896 1000 • Fax +44 (0)20 8896 2000  
**Rome, IT** • Via Ennio Quirino Visconti, 11, 00193 Rome, Italy • Tel +39 (06) 32 111 683 • Fax +44 (0) 20 8752 8486  
**Holzkirchen, DE** • Ohmstrasse 3, 83607 Holzkirchen, Germany • Tel +49 (80 24) 47 00-0 • Fax +49 (80 24) 47 00-3 00  
**Hong Kong** • Room 1801, 18/F, Tower 1 Phase 1, Enterprise Square, 9 Sheung Yuet Road, Kowloon Bay, Kowloon, Hong Kong • Tel +852 2799 1220 • Fax +852 2799 9325  
**Web** • www.etcconnect.com • Copyright©2008 ETC. All Rights Reserved. All product information and specifications subject to change. 7021L1000 Rev. D Printed in USA 05/08

SmartLink® products protected by US and International patents pending